

Start Here ▶▶▶

1 Check Package Contents & Requirements

Package Contents

- 1x HAI15SC Corner Antenna
- 1x Wall Mounting Kit w/ screws
- 1x Quick Installation Guide
- 1x HACST SMA to TNC Connector Adapter
- 1x HACSA SMA to MCX Connector Adapter

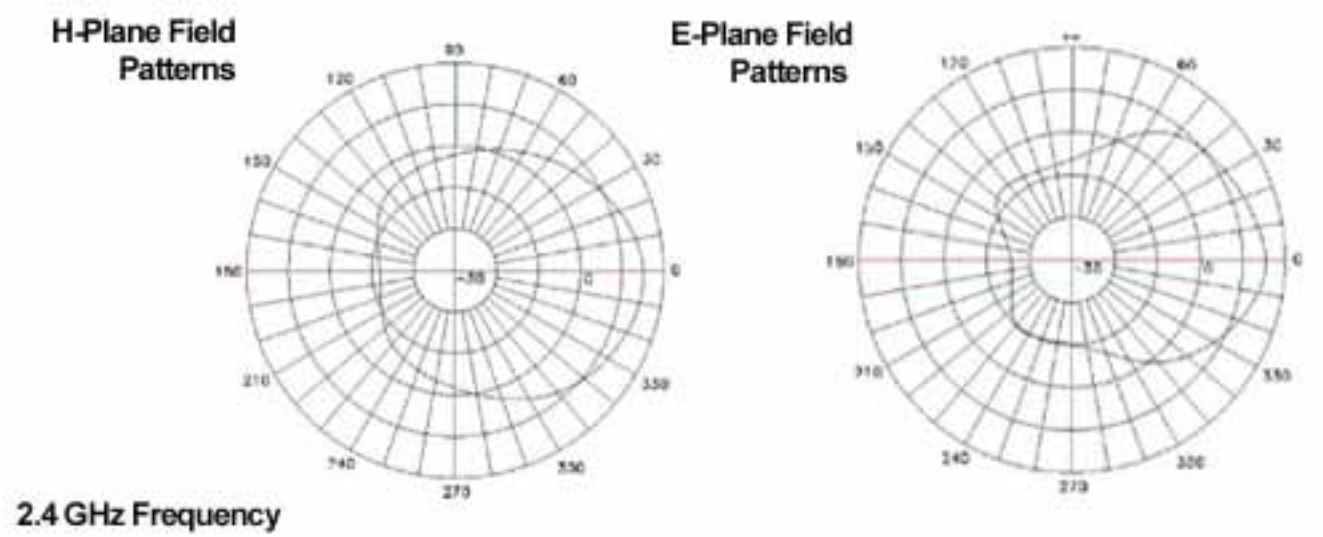
Requirements

- One Wireless 2.4 GHz 802.11 b/g/n device with a Removable External Antenna
- Connectors: Reverse SMA or Reverse TNC Connectors

2 Overview

Specs:

Frequency Band	2400–2500MHz
Antenna Gain	15 dBi
VSWR	1.6 Max
Polarization	Vertical
HPBW/ H-Plane	60 Degrees
HPBW/ E-Plane	30 Degrees
Impedence	50 Ohms
Dimensions HxWxD	218X100X50 mm



3 Setting up your Corner Antenna

1.) Remove one original antenna from your wireless device and connect the HAI15SC connector to the wireless device antenna jack.

2.) If needed, use one of the provided adapters to connect your Antenna to your Wireless device.

3.) Once your Corner Antenna is attached to your device, decide on a location to place your device. See below instructions on mounting your antenna.



HACST



Antenna connector
Reverse SMA Plug

HACSA

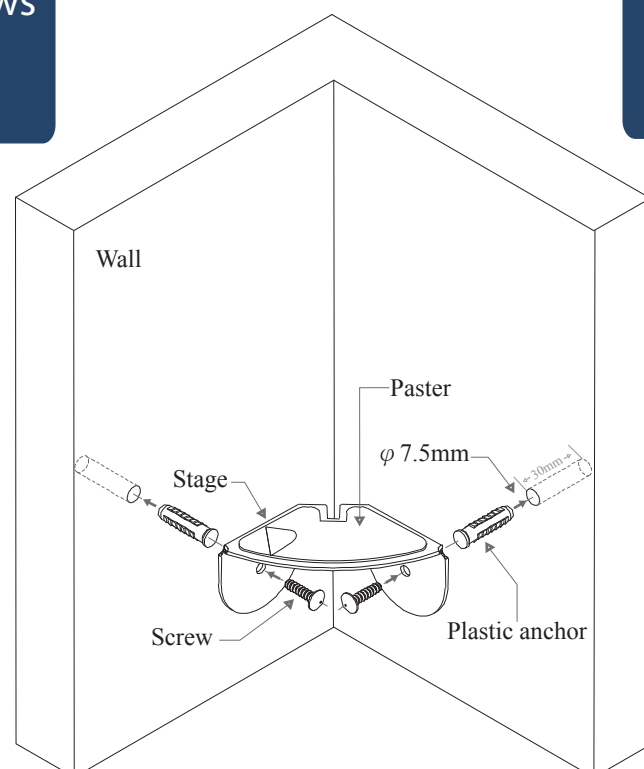


Device connector
Reverse SMA Jack

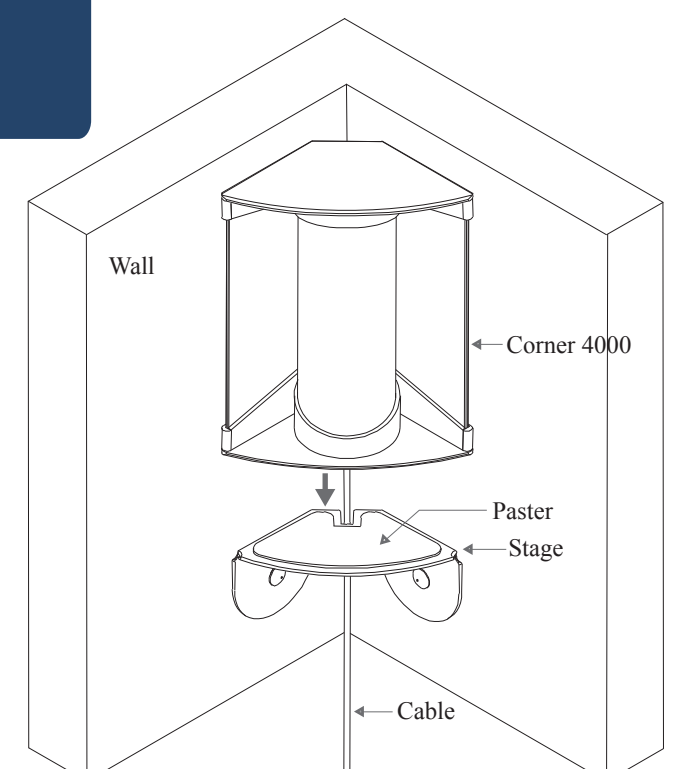


4

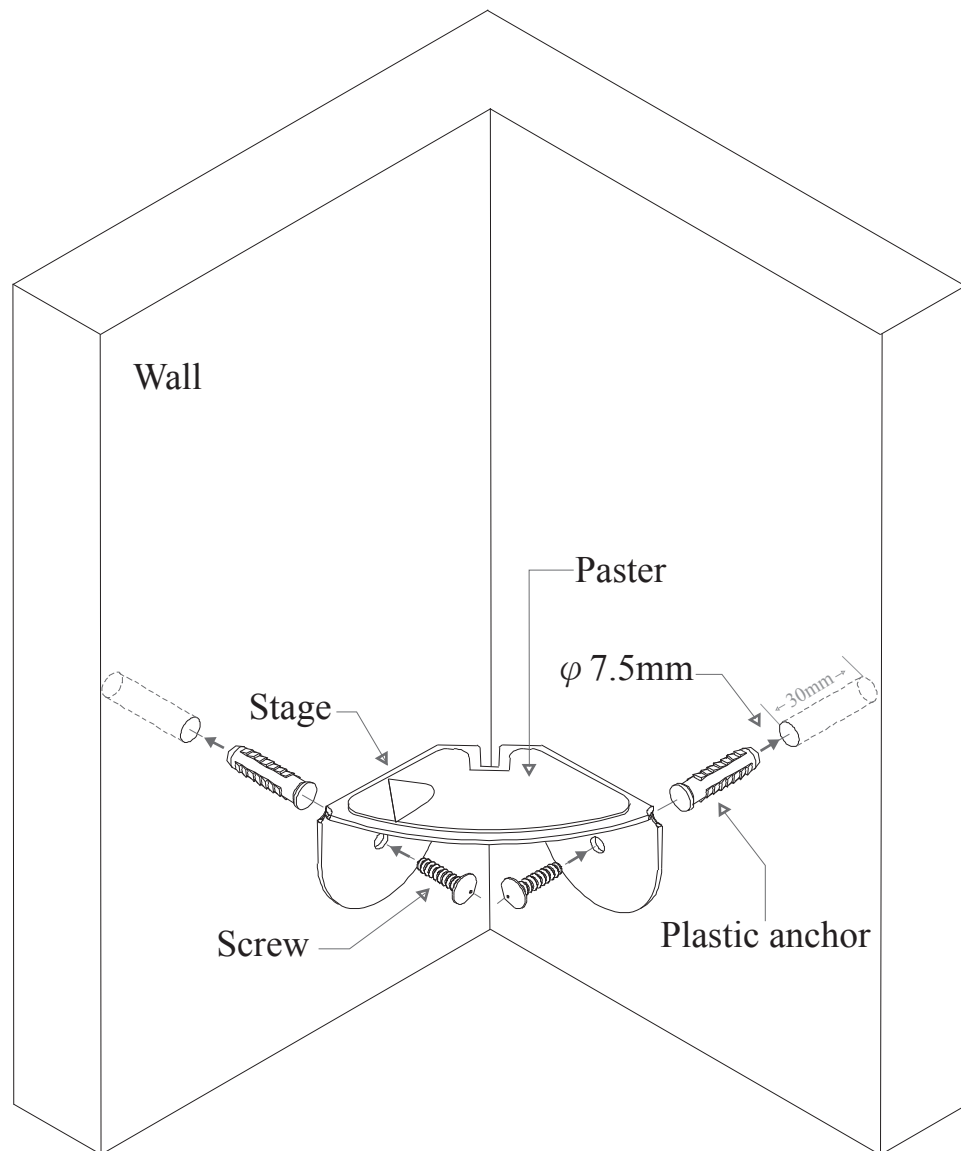
1.) Begin by mounting the base to the walls using the provided screws and anchors.



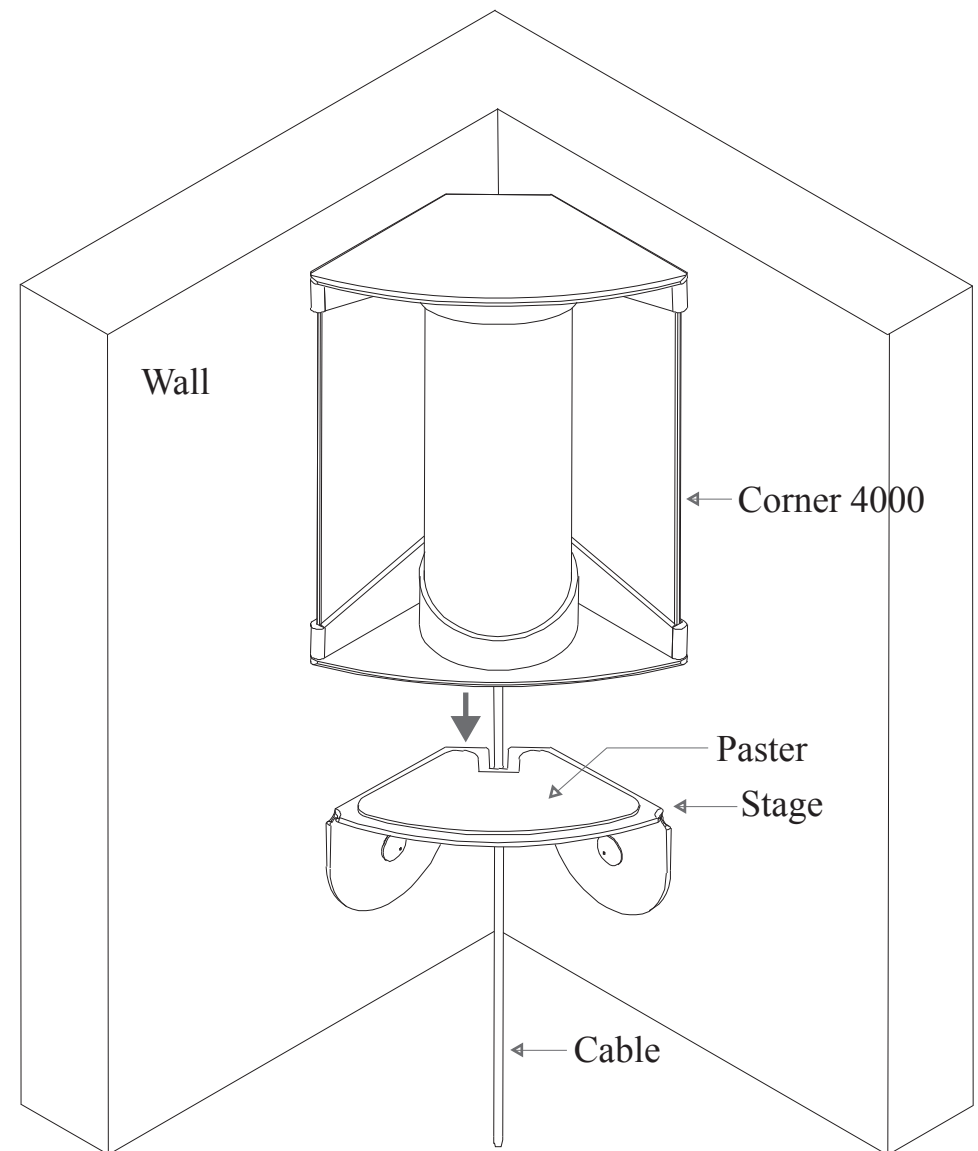
2.) Attach the mounting tape to the mounting kit and place your HAI15SC on the tape. Apply downward pressure till secure.



1.) Begin by mounting the base to the walls using the provided screws and anchors.



2.) Attach the Mounting tape to the mounting kit and place your HAI15SC on the tape. Apply downward pressure until the HAI15SC is secure.



Limited Warranty

Hawking Technology guarantees that every Hi-Gain 2.4 Series Antenna and Accessory is free from physical defects in material and workmanship under normal use for one (1) year from the date of purchase. If the product proves defective during this one-year warranty period, call Hawking Customer Service in order to obtain a Return Authorization number. Warranty is for repair or replacement only. Hawking Technology does not issue any refunds. **BE SURE TO HAVE YOUR PROOF OF PURCHASE. RETURN REQUESTS CAN NOT BE PROCESSED WITHOUT PROOF OF PURCHASE.** When returning a product, mark the Return Authorization number clearly on the outside of the package and include your original proof of purchase. **IN NO EVENT SHALL HAWKING TECHNOLOGY'S LIABILITY EXCEED THE PRICE PAID FOR THE PRODUCT FROM DIRECT, INDIRECT, SPECIAL, INCIDENTAL OR CONSEQUENTIAL DAMAGES RESULTING FROM THE USE OF THE PRODUCT, ITS ACCOMPANYING SOFTWARE OR ITS DOCUMENTATION.** Hawking Technology makes no warranty or representation, expressed, implied or statutory, with respect to its products or the contents or use of this documentation and all accompanying software, and specifically disclaims its quality, performance, merchantability, or fitness for any particular purpose. Hawking Technology reserves the right to revise or update its products, software, or documentation without obligation to notify any individual or entity. Please direct all inquiries to: techsupport@hawkingtech.com

For assistance or more information contact:

Hawking Technologies, Inc.

1-888-202-3344 (toll free for US and Canada)

1-949-206-6908

techsupport@hawkingtech.com

Copyright & Trademark

Copyright 2010 Hawking Technologies, Inc. All right reserved. Microsoft, Windows and the Windows logo are registered trademarks of Microsoft Corporation. All other trademarks and brand names are the property of their respective proprietors.